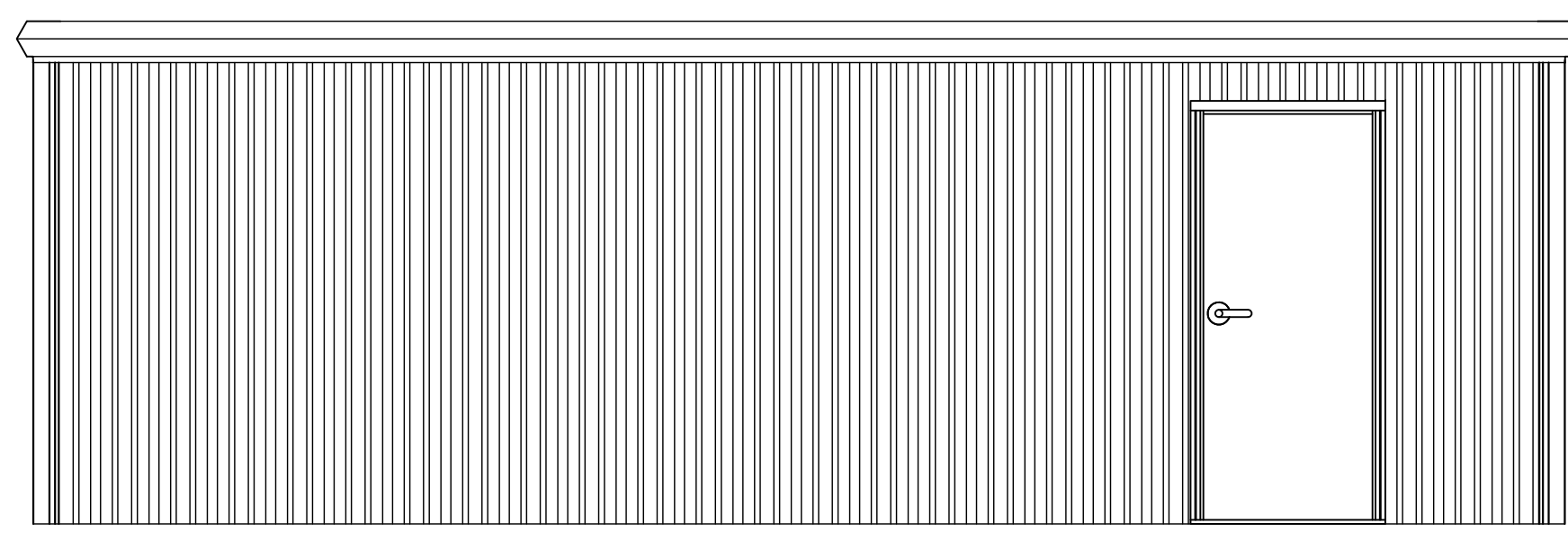
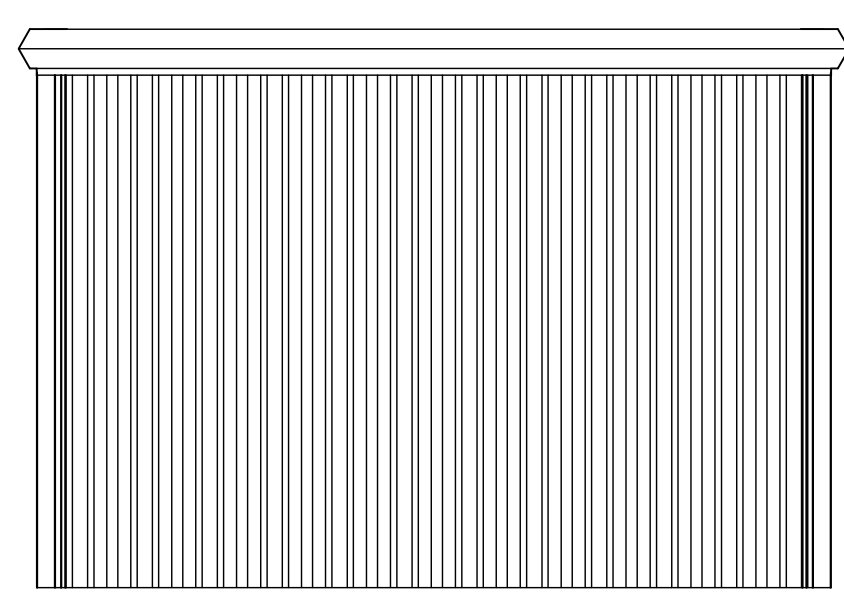


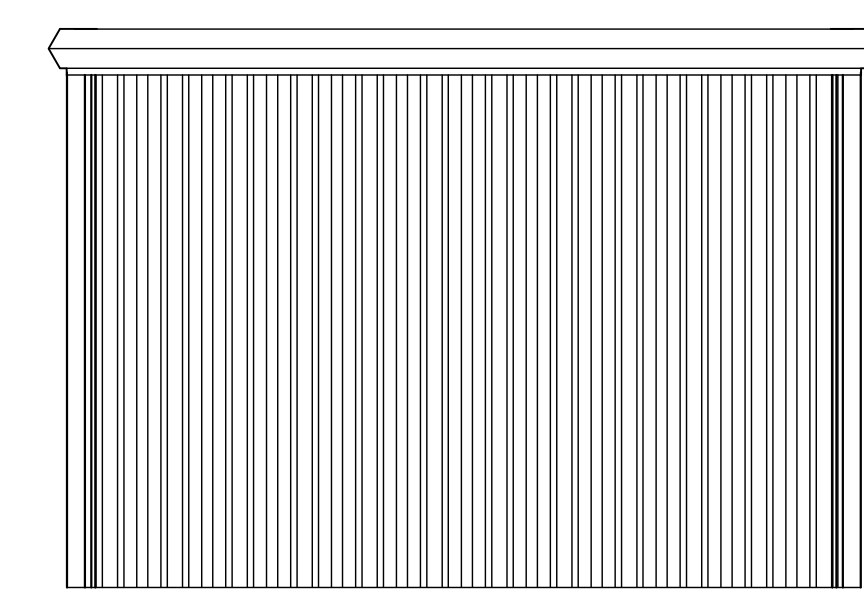
A Wall @ Line A Viewed from Outside of Building



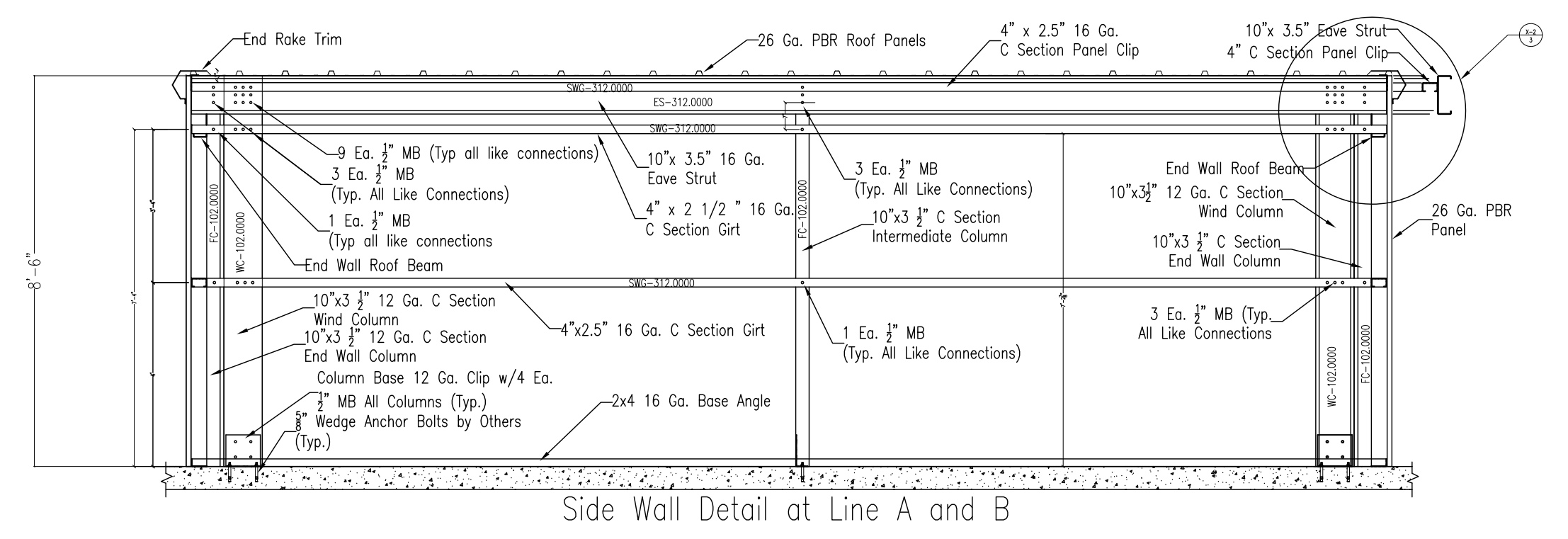
B Wall @ Line B Viewed from Outside of Building



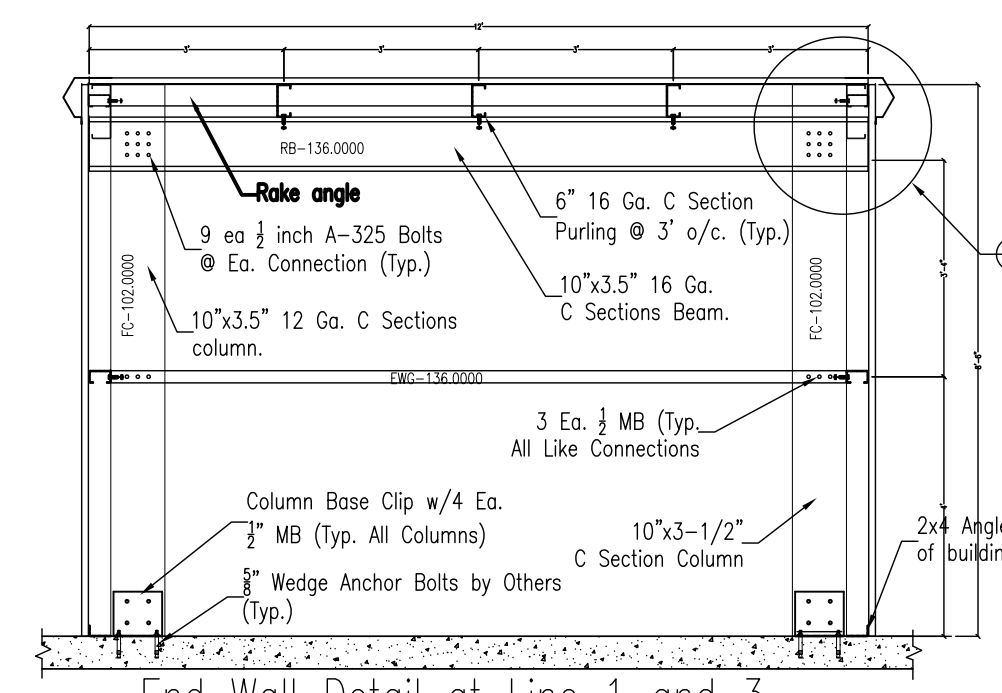
1 Wall @ Line 1 Viewed from Outside of Building



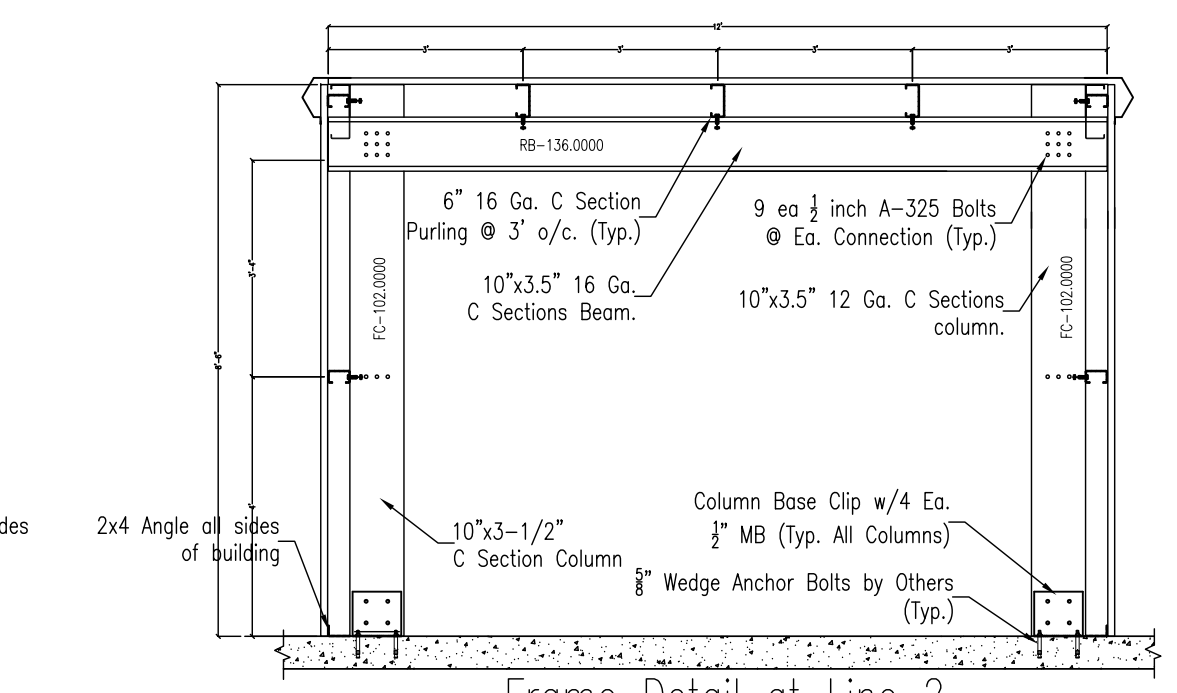
3 Wall @ Line 3 Viewed from Outside of Building



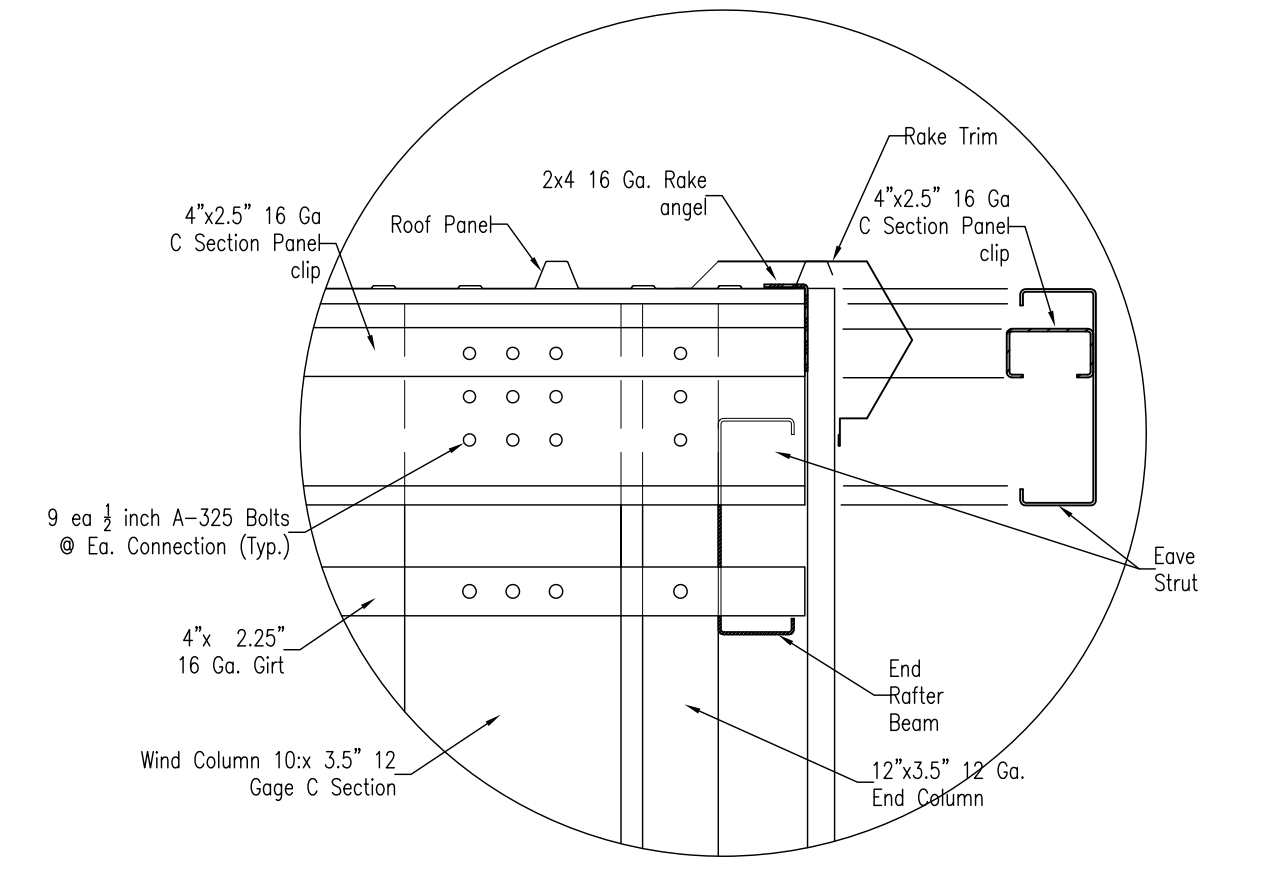
Side Wall Detail at Line A and B



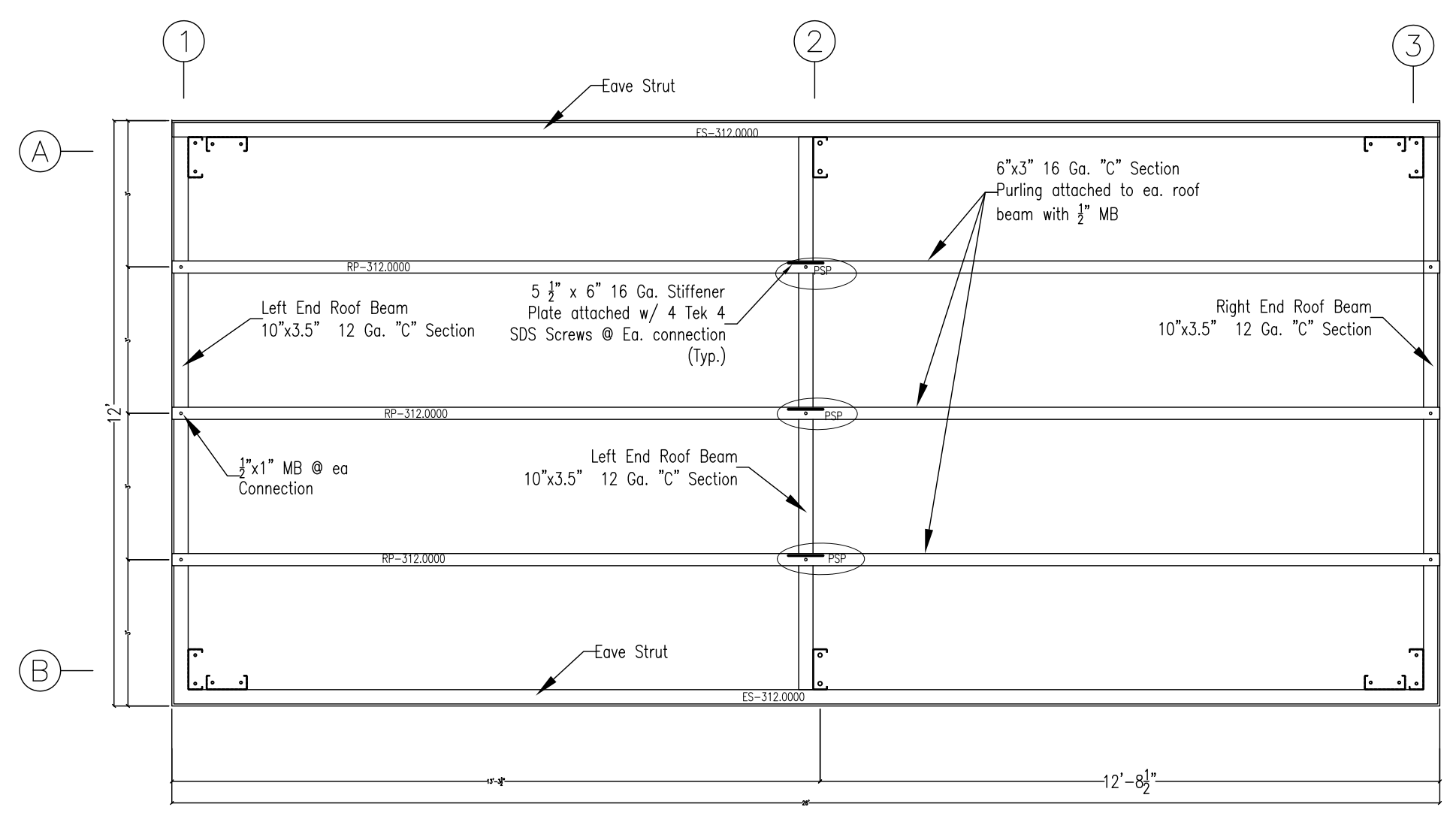
End Wall Detail at Line 1 and 3



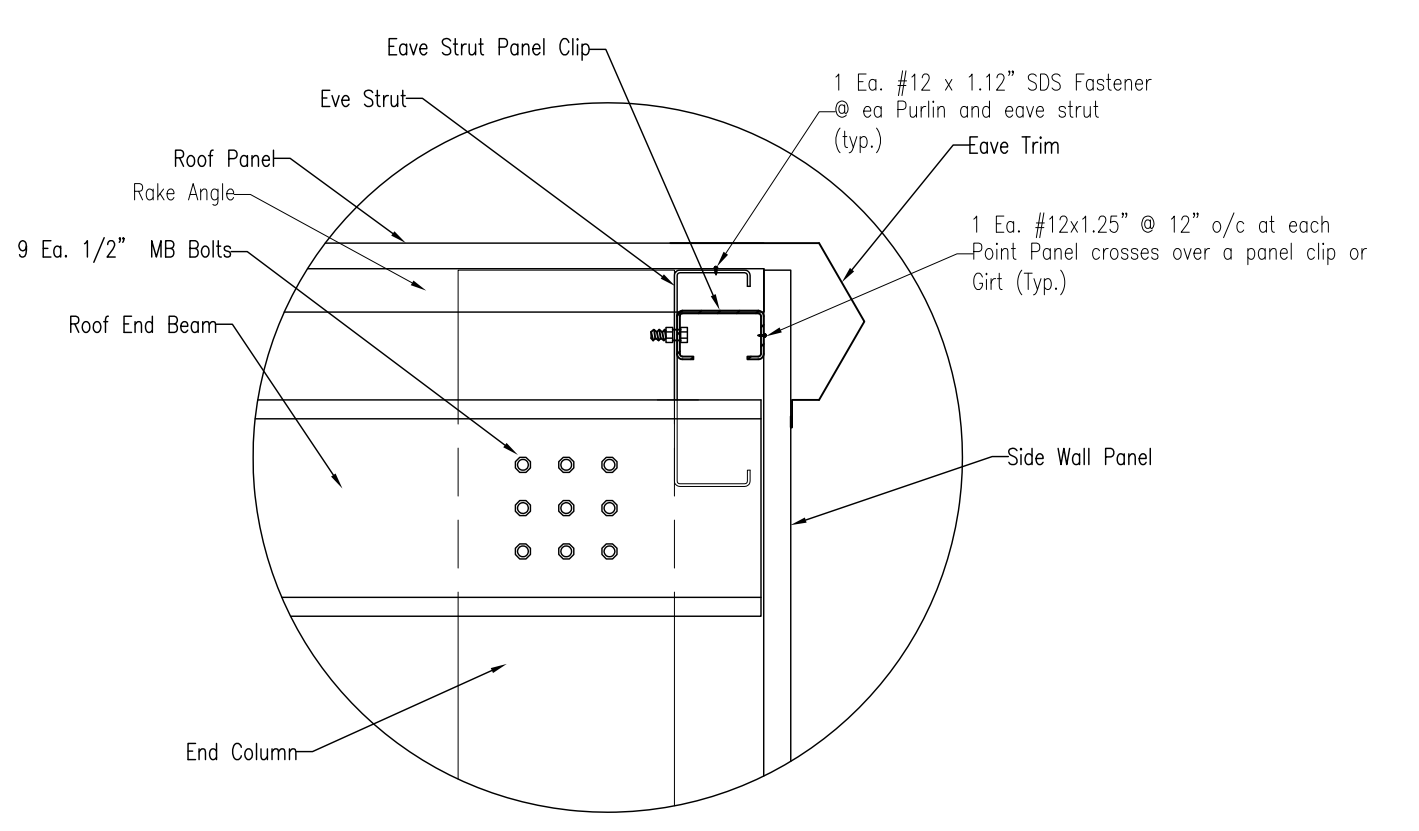
Frame Detail at Line 2



X-2 Connection Detail at Side Wall Corner Typ



Roof Framing



X-1 Connection Detail at End Wall Corner Typ

Control Room - HICORP II Building

Job Site Name and Address:
 Cascade Steel Rolling Mills, Inc.
 3200 North Hwy. 99W
 McMinnville, Oregon 97128
 Galf Cart Shed

Customer:
 Scale:
 Date Drawn:
 Drawn By:
 Reviewed By:
 Rev. Date 1:
 Rev. Date 2:
 Rev. Date 3:



△	Description